



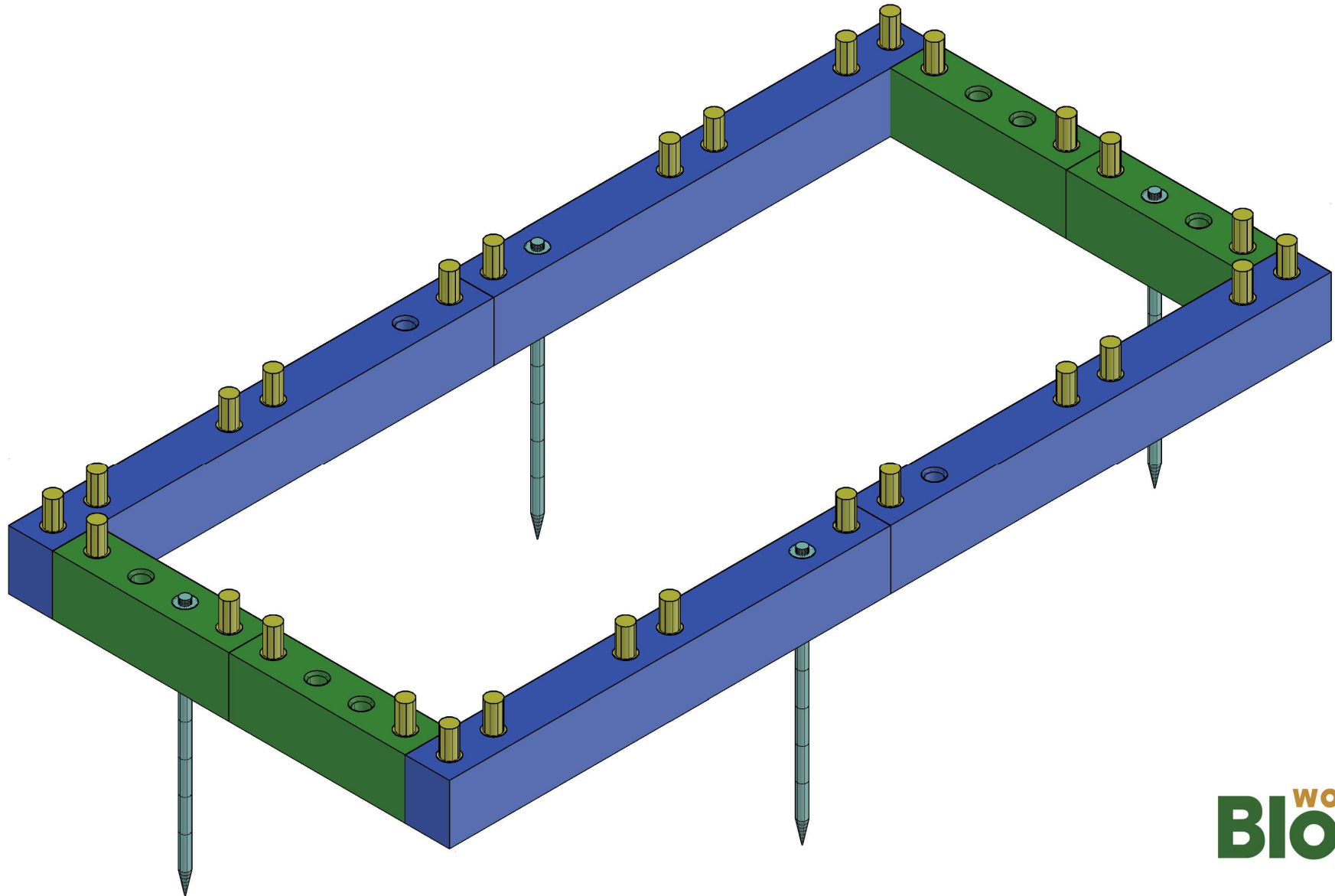
0.75m

A technical drawing of a rectangular frame. The frame consists of an outer border and an inner border, with a central empty space. The drawing is oriented horizontally. On the left side, a vertical dimension line with tick marks at the top and bottom indicates a height of 0.75m. Below the frame, a horizontal dimension line with tick marks at the left and right ends indicates a width of 1.5m. The frame is drawn with solid black lines. There are also diagonal lines at the corners of the dimension lines, indicating that the dimensions are taken to the center of the frame's lines.

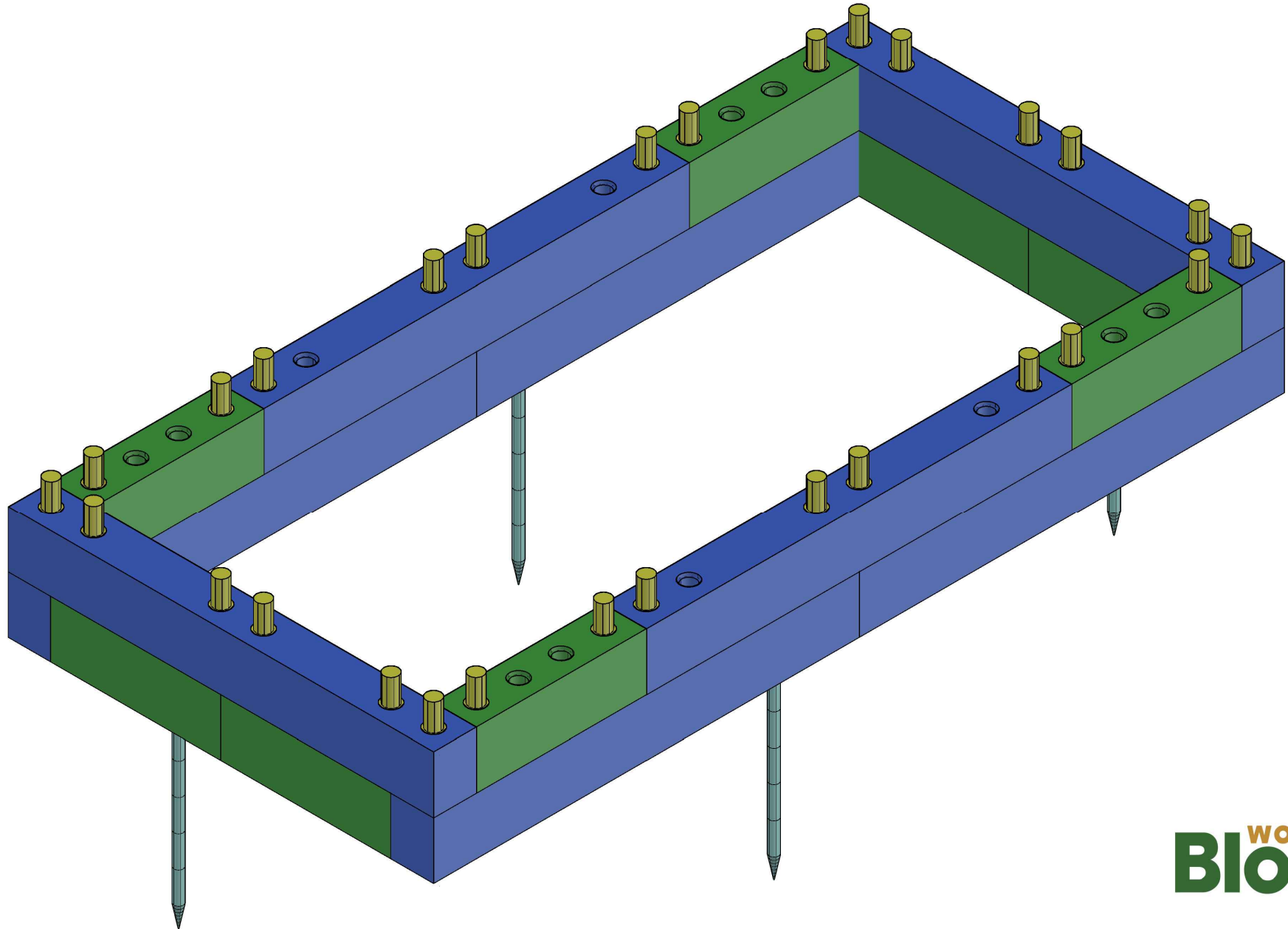
1.5m

WOOD
BlocX

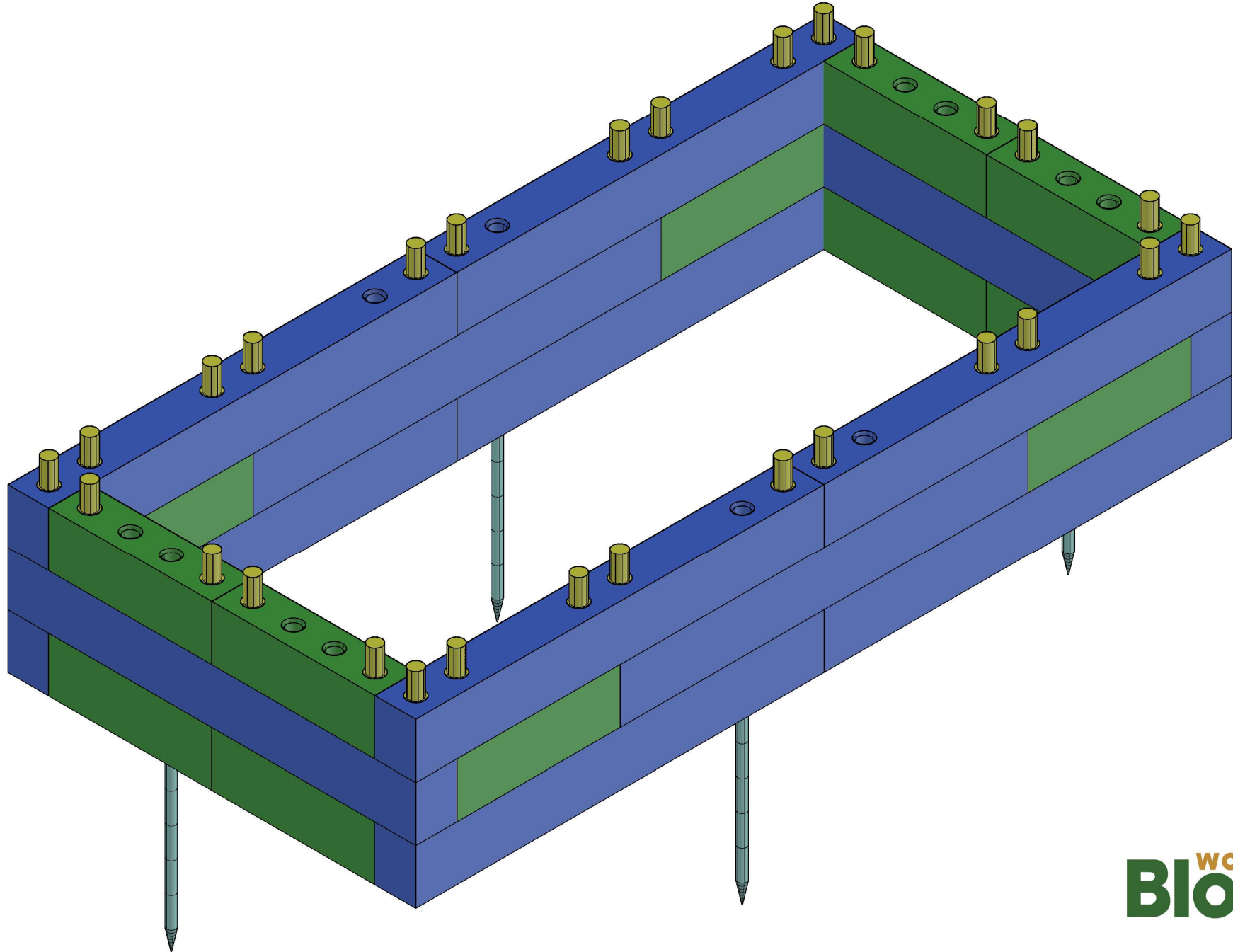
1



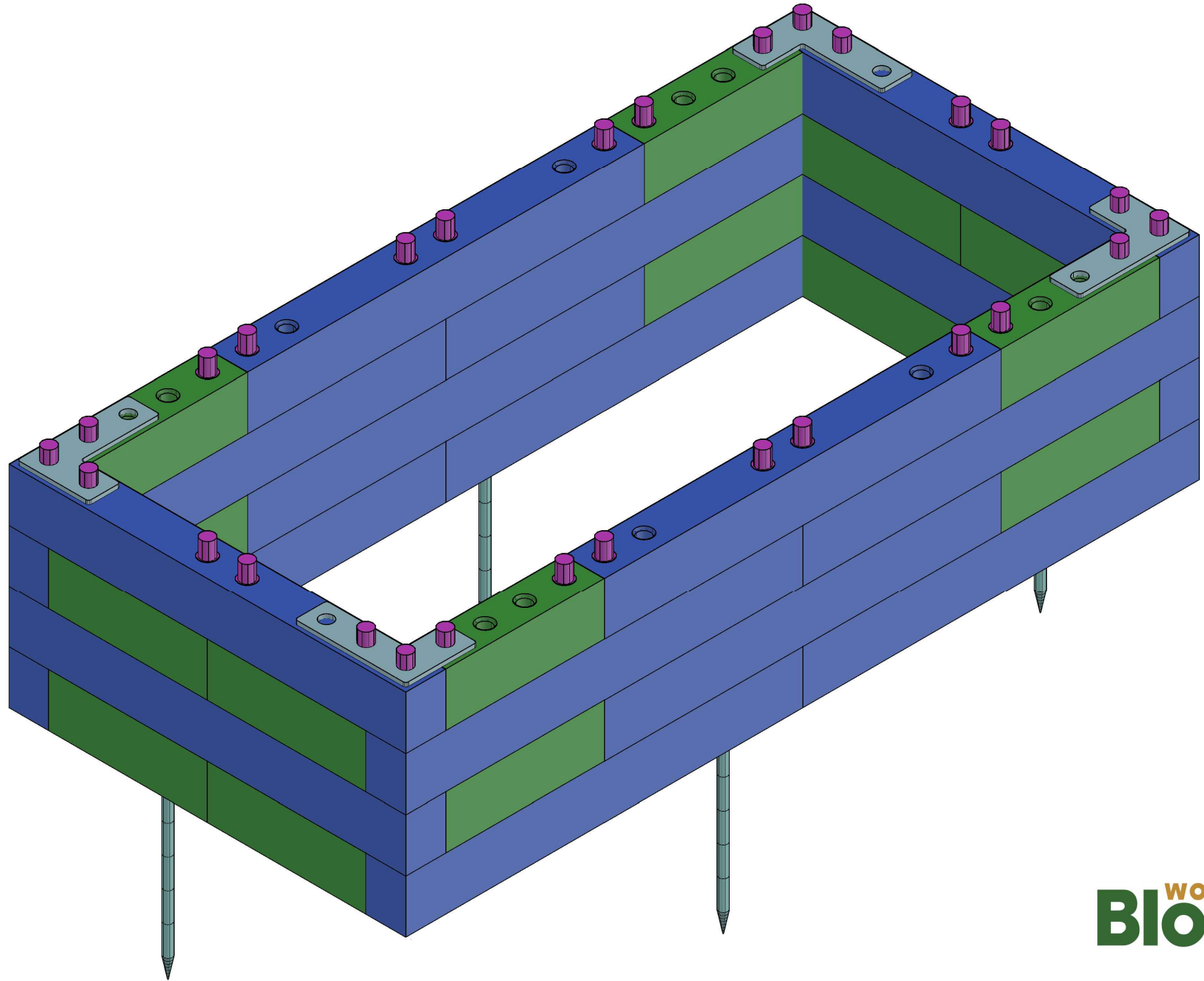
2



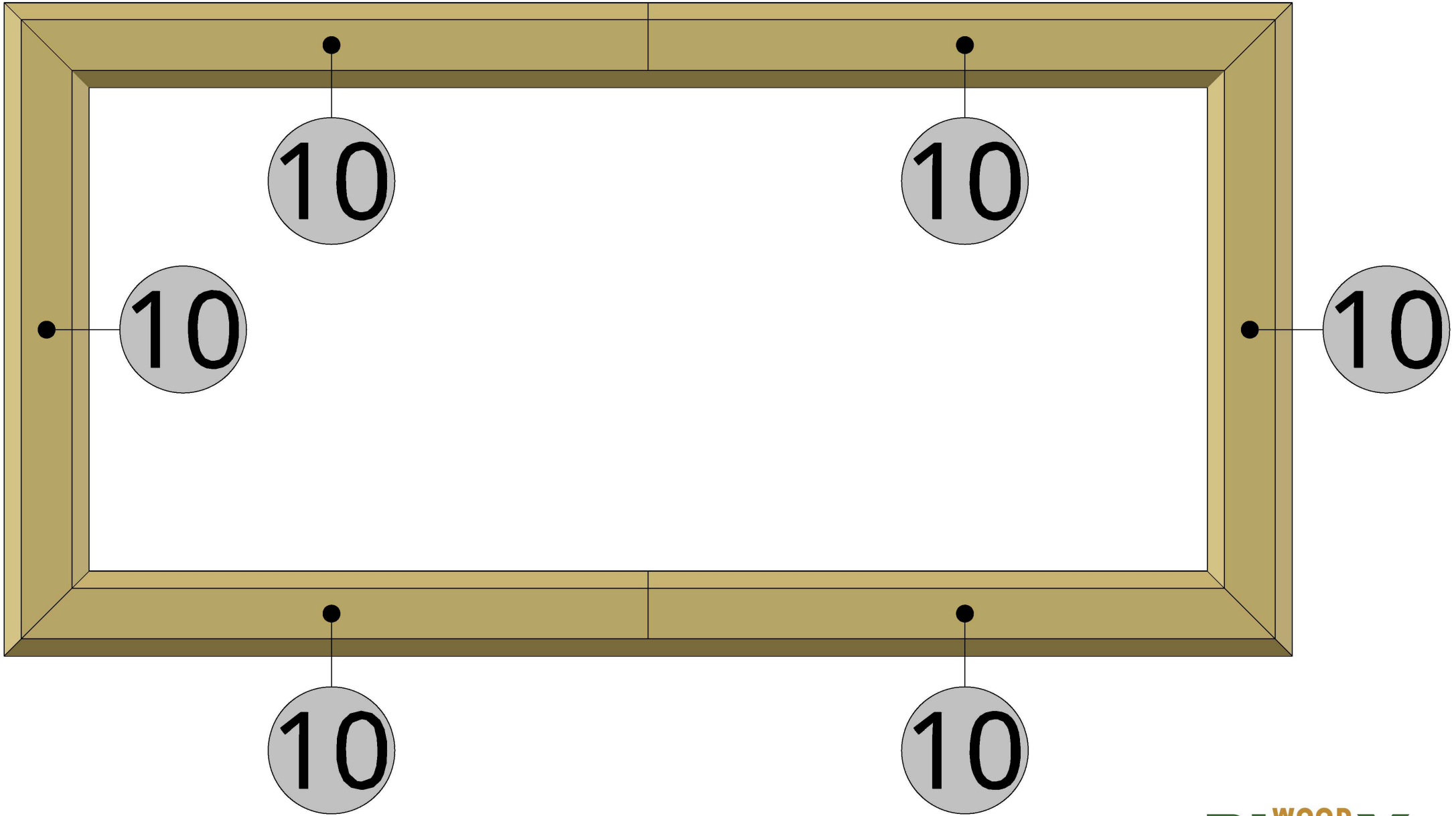
3



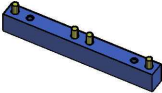
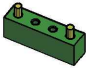


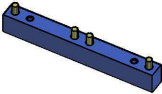
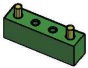

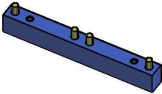
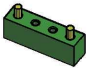

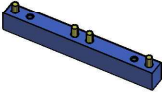
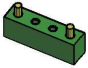


4



5



6

1	 4	 4	 28	 4	
2	 4	 4	 28		
3	 4	 4	 28		
4	 4	 4		 4	 28