

CUSTOMER NAME

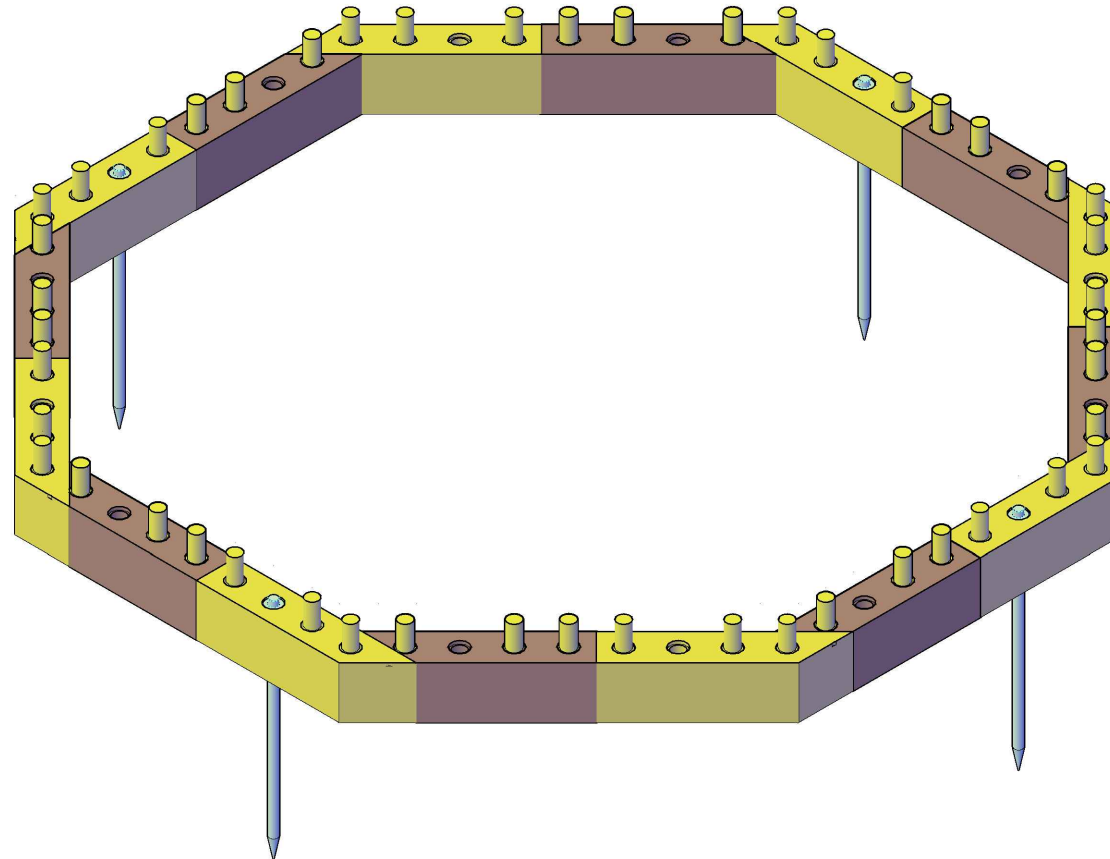
OCTAGONAL RAISED PLANTER - 1524 X 350

DRAWING TITLE

COVER 3D

DESIGN VERSION

1.0



CUSTOMER NAME

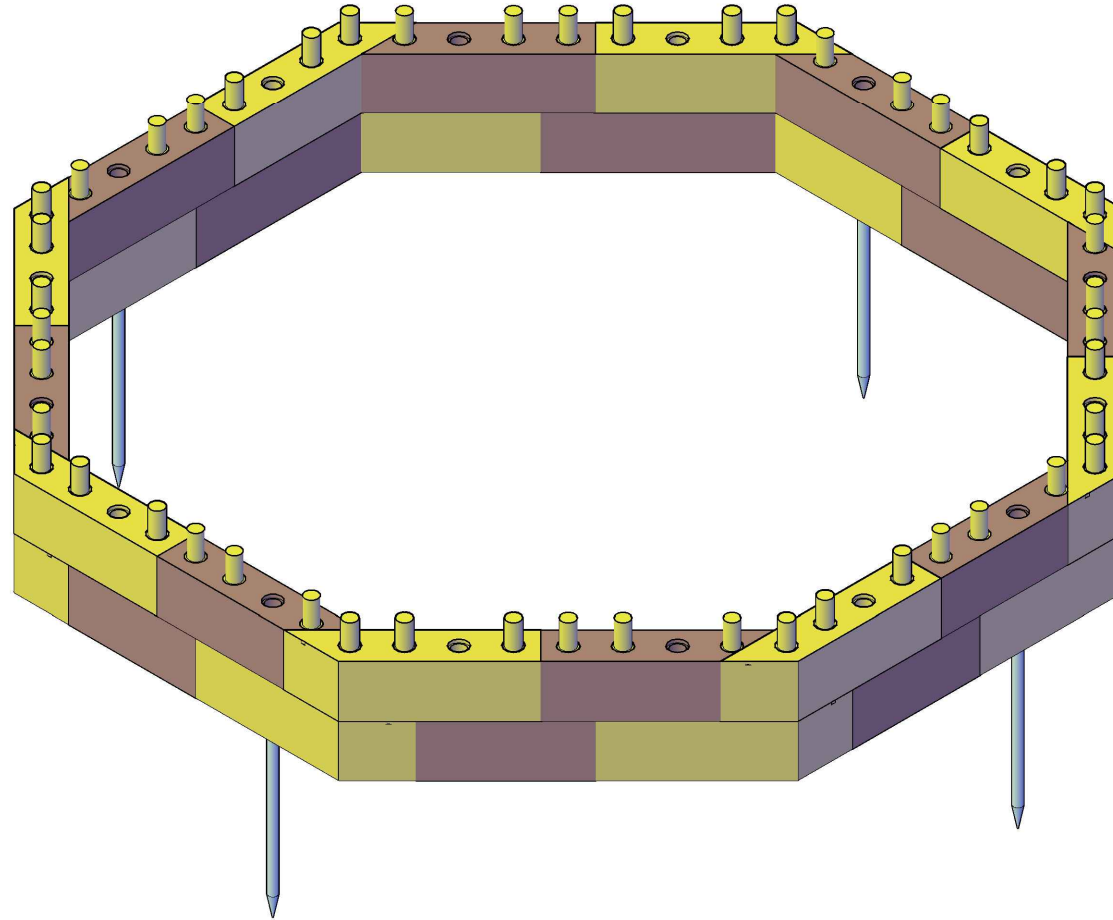
**OCTAGONAL RAISED PLANTER - 1524 X 350**

DRAWING TITLE

**LAYER 01**

DESIGN VERSION

**1.0**



CUSTOMER NAME

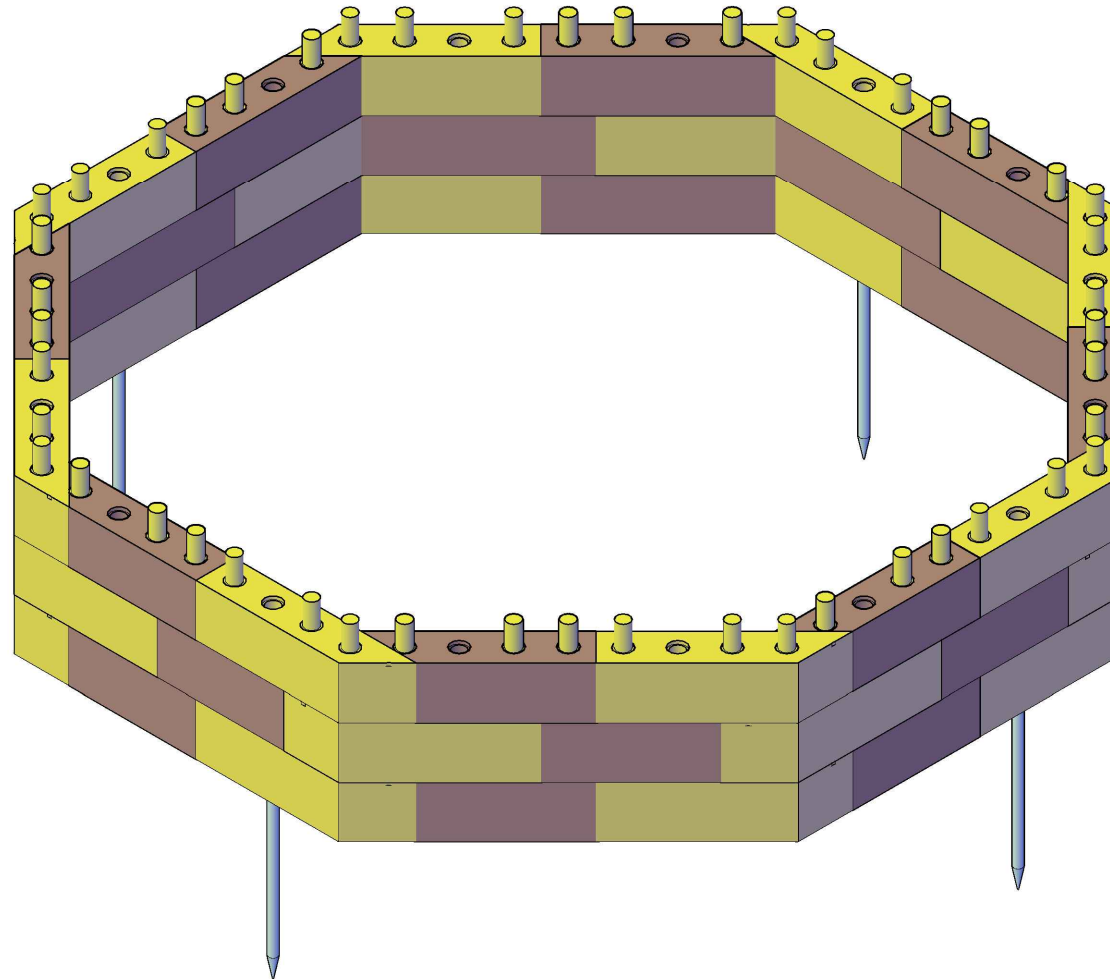
**OCTAGONAL RAISED PLANTER - 1524 X 350**

DRAWING TITLE

**LAYER 02**

DESIGN VERSION

**1.0**



CUSTOMER NAME

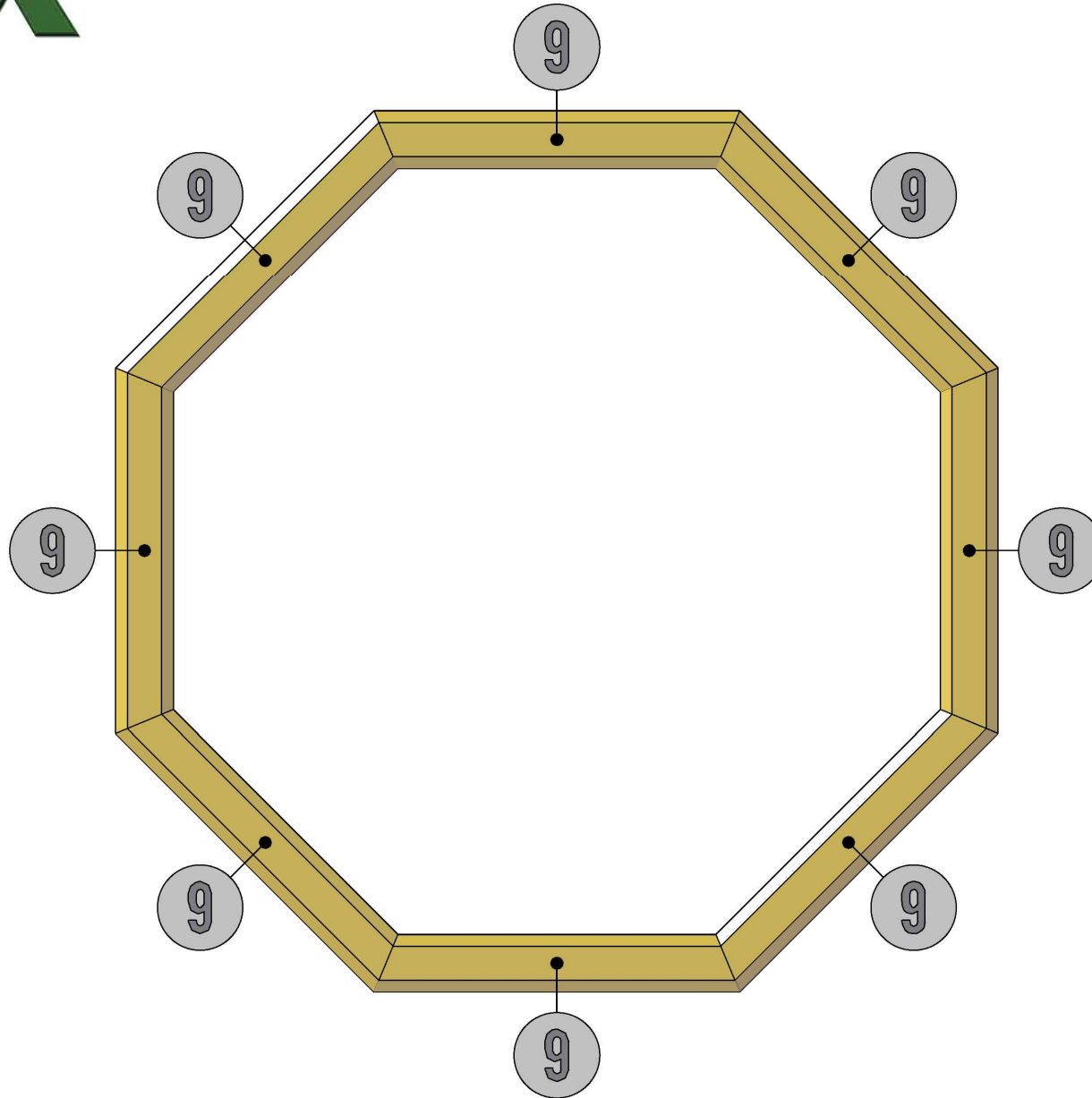
**OCTAGONAL RAISED PLANTER - 1524 X 350**

DRAWING TITLE

**LAYER 03**

DESIGN VERSION

**1.0**



CUSTOMER NAME

OCTAGONAL RAISED PLANTER - 1524 X 350

DRAWING TITLE

CAPPING PLAN

DESIGN VERSION

1.0

\*NUMBERS REPRESENT NUMBER OF HOLES IN CAPPING